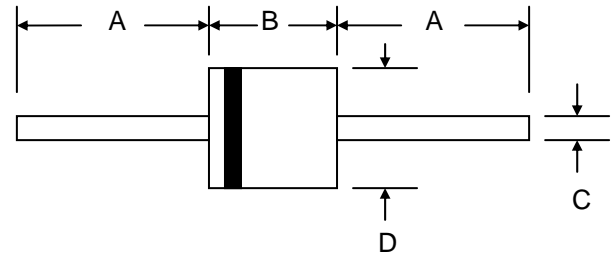


### Features

- Diffused Junction
- Low Forward Voltage Drop
- High Current Capability
- High Reliability
- High Surge Current Capability



### Mechanical Data

- Case: P-600, Molded Plastic
- Terminals: Plated Leads Solderable per MIL-STD-202, Method 208
- Polarity: Cathode Band
- Weight: 2.1 grams (approx.)
- Mounting Position: Any
- Marking: Type Number
- **Lead Free: For RoHS / Lead Free Version, Add “-LF” Suffix to Part Number, See Page 4**

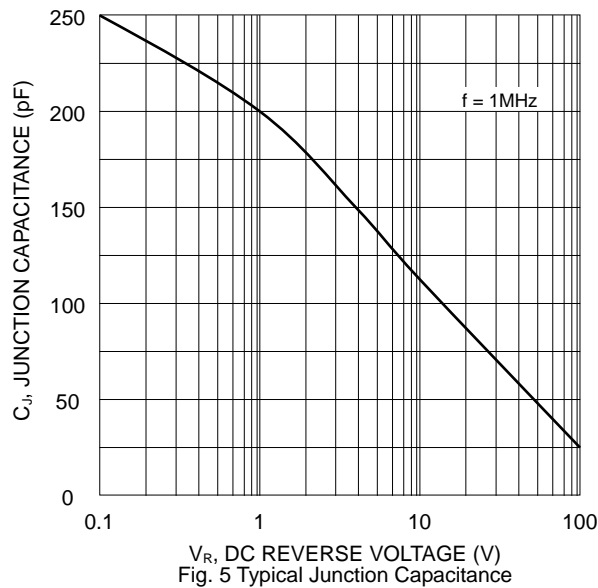
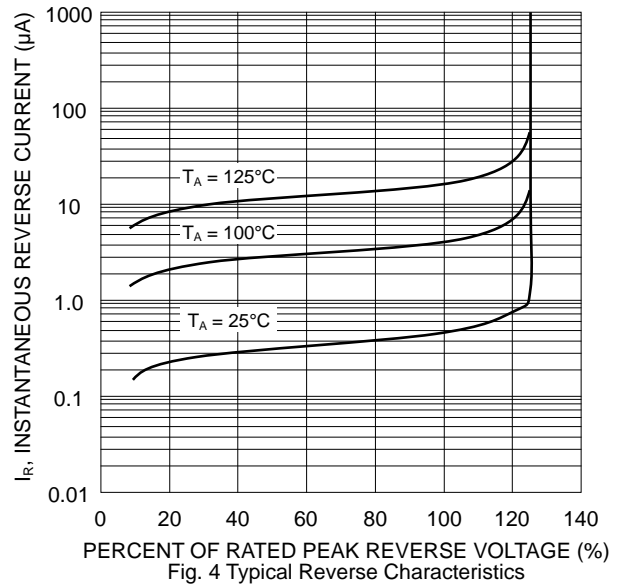
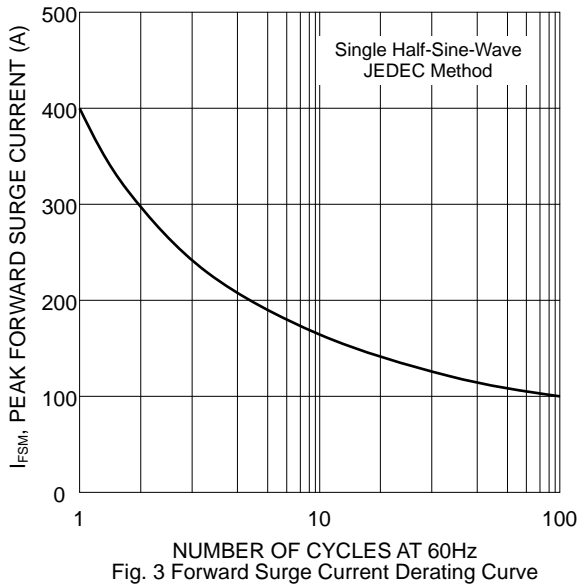
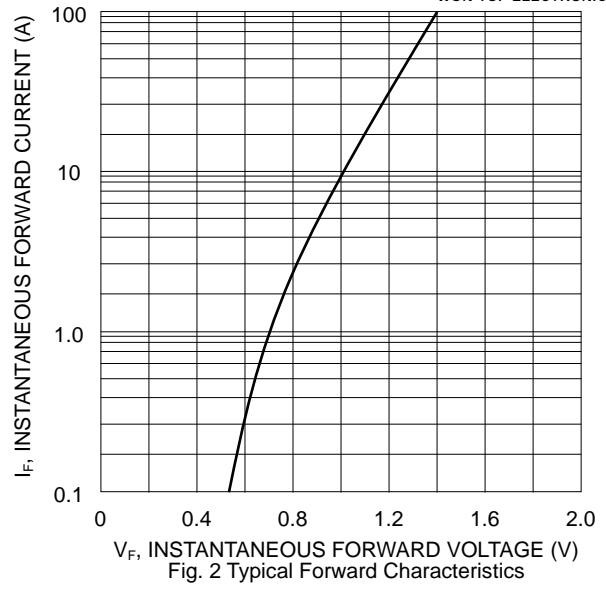
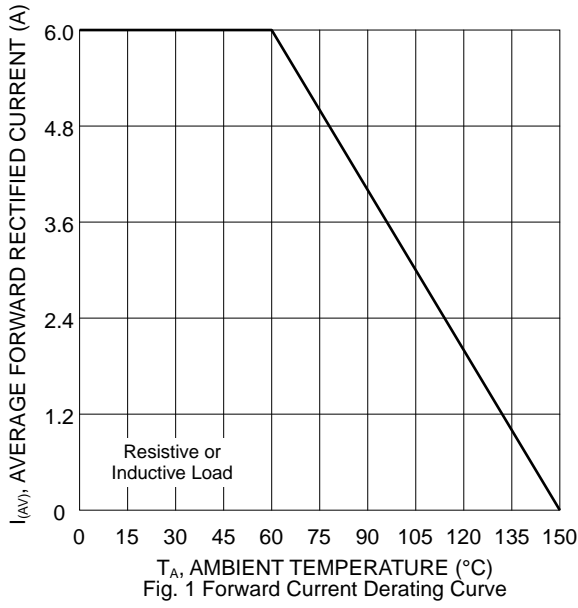
P-600		
Dim	Min	Max
A	25.4	—
B	8.60	9.10
C	1.20	1.30
D	8.60	9.10
All Dimensions in mm		

### Maximum Ratings and Electrical Characteristics @T<sub>A</sub>=25°C unless otherwise specified

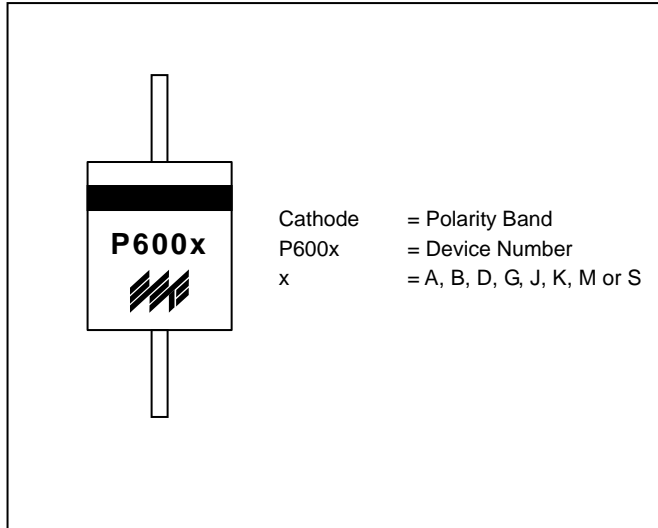
Single Phase, half wave, 60Hz, resistive or inductive load.  
For capacitive load, derate current by 20%.

Characteristic	Symbol	P600 A	P600 B	P600 D	P600 G	P600 J	P600 K	P600 M	P600 S	Unit
Peak Repetitive Reverse Voltage	V <sub>RRM</sub>	50	100	200	400	600	800	1000	1200	V
Working Peak Reverse Voltage	V <sub>RWM</sub>									
DC Blocking Voltage	V <sub>R</sub>									
RMS Reverse Voltage	V <sub>R(RMS)</sub>	35	70	140	280	420	560	700	840	V
Average Rectified Output Current (Note 1) @T <sub>A</sub> = 60°C	I <sub>O</sub>	6.0								A
Non-Repetitive Peak Forward Surge Current 8.3ms Single Half Sine-Wave Superimposed on Rated Load (JEDEC Method)	I <sub>FSM</sub>	400								A
Forward Voltage @I <sub>F</sub> = 6.0A	V <sub>FM</sub>	1.0								V
Peak Reverse Current @T <sub>A</sub> = 25°C At Rated DC Blocking Voltage @T <sub>A</sub> = 100°C	I <sub>RM</sub>	5.0 1.0								μA mA
Typical Junction Capacitance (Note 2)	C <sub>J</sub>	150								pF
Typical Thermal Resistance Junction to Ambient (Note 3) Typical Thermal Resistance Junction to Lead (Note 3)	R <sub>θJA</sub> R <sub>θJL</sub>	20 4.0								°C/W
Operating and Storage Temperature Range	T <sub>J</sub> , T <sub>STG</sub>	-50 to +150								°C

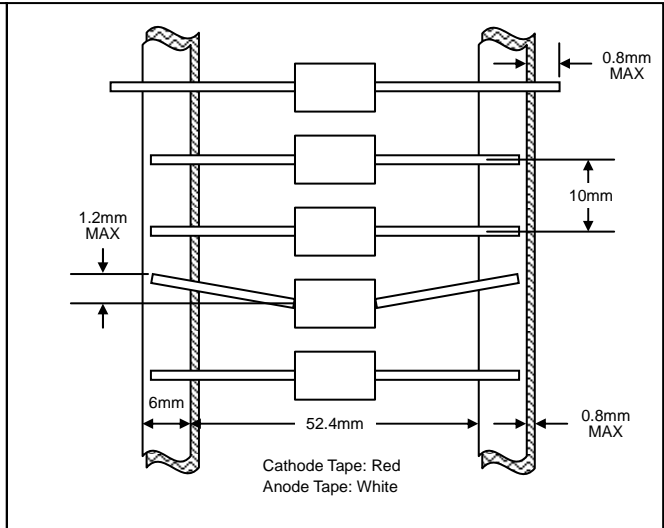
- Note: 1. Leads maintained at ambient temperature at a distance of 9.5mm from the case.  
2. Measured at 1.0 MHz and Applied Reverse Voltage of 4.0V D.C.  
3. Mounted on FR-4 PCB with 30mm x 30mm copper pad.



## MARKING INFORMATION

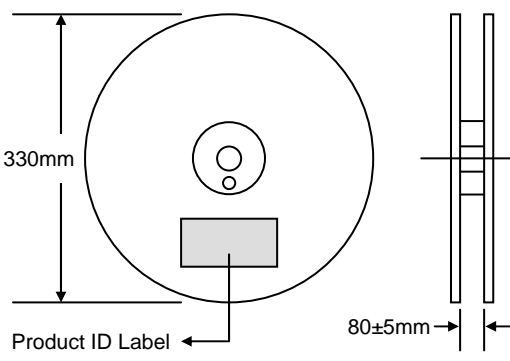


## TAPING SPECIFICATIONS



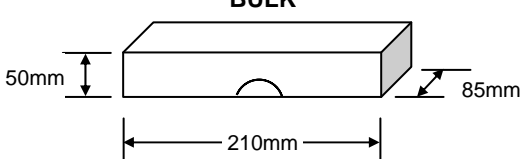
## PACKAGING INFORMATION

### TAPE & REEL



330mm  
Product ID Label  
80±5mm

### BULK



50mm  
210mm  
85mm

Packaging	Reel Diameter / Box Size (mm)	Quantity (PCS)	Carton Size (mm)	Quantity (PCS)	Approx. Gross Weight (KG)
<b>TAPE &amp; REEL</b>	330	800	370 x 370 x 420	4,000	12.0
<b>BULK</b>	210 x 85 x 50	250	500 x 255 x 275	7,000	17.0

**Note:** 1. Paper reel, white or gray color. Core material: plastic or metal.  
2. Components are packed in accordance with EIA standard RS-296-E.

## ORDERING INFORMATION

Product No.	Package Type	Shipping Quantity
<b>P600x-T3</b>	P-600	800/Tape & Reel
P600x	P-600	250 Units/Box

1. Products listed in **bold** are WTE **Preferred** devices.
2. Shipping quantity given is for minimum packing quantity only. For minimum order quantity, please consult the Sales Department.
3. **To order RoHS / Lead Free version (with Lead Free finish), add "-LF" suffix to part number above. For example, P600A-T3-LF.**

WON-TOP ELECTRONICS and  are registered trademarks of Won-Top Electronics Co., Ltd (WTE). WTE has checked all information carefully and believes it to be correct and accurate. However, WTE cannot assume any responsibility for inaccuracies. Furthermore, this information does not give the purchaser of semiconductor devices any license under patent rights to manufacturer. WTE reserves the right to change any or all information herein without further notice.

**WARNING:** DO NOT USE IN LIFE SUPPORT EQUIPMENT. WTE power semiconductor products are not authorized for use as critical components in life support devices or systems without the express written approval.

### Won-Top Electronics Co., Ltd.

No. 44 Yu Kang North 3rd Road,

Chine Chen Dist., Kaohsiung 806, Taiwan

**Phone:** 886-7-822-5408 or 886-7-822-5410

**Fax:** 886-7-822-5417

**Email:** sales@wontop.com

**Internet:** <http://www.wontop.com>

*We power your everyday.*